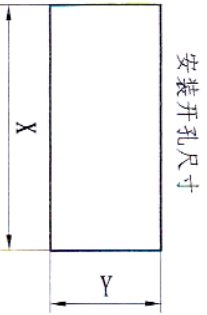
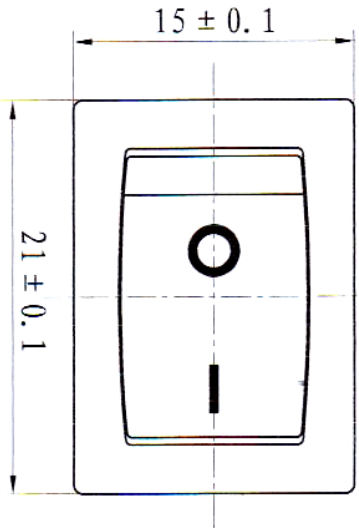
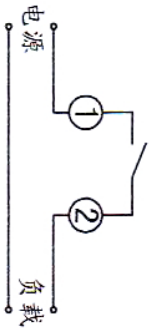


2-4.8W × 0.8T  
#187. Q.C端子



电气原理图  
CIRCUIT DIAGRAM  
ON-OFF



t	X	Y
0.75-1.25	19.1 <sup>+0.1</sup> <sub>0</sub>	12.9 <sup>+0.1</sup> <sub>0</sub>
1.25-2.00	19.2 <sup>+0.1</sup> <sub>0</sub>	12.9 <sup>+0.1</sup> <sub>0</sub>
2.00-3.00	19.3 <sup>+0.1</sup> <sub>0</sub>	12.9 <sup>+0.1</sup> <sub>0</sub>

t: 安装面板厚度

TOLERANCES UNLESS OTHERWISE 未指定容许尺寸公差	
BASIC DIMENSION TOLERANCES	
LP TO 10(10以下)	±0.3
ABOVE 10 TO 100(10到100)	±0.5
ABOVE 100(100以上)	±0.8
ANGULAR DIMENSIONS(角度)	±3°

DESIGNER		CHECKED BY		APPROVED BY	
NINGBO MASTER SOKEN ELECTRICAL CO., LTD.		NINGBO MASTER SOKEN ELECTRICAL CO., LTD.		NINGBO MASTER SOKEN ELECTRICAL CO., LTD.	
封向荣	DATE	2017.3.31	DIN UNIT	mm	
✓	DATE	4/17	TITLE	RK2-18 1X1 黑黑弧“0-”	
DATE	DATE	4/17	PAGE	1	